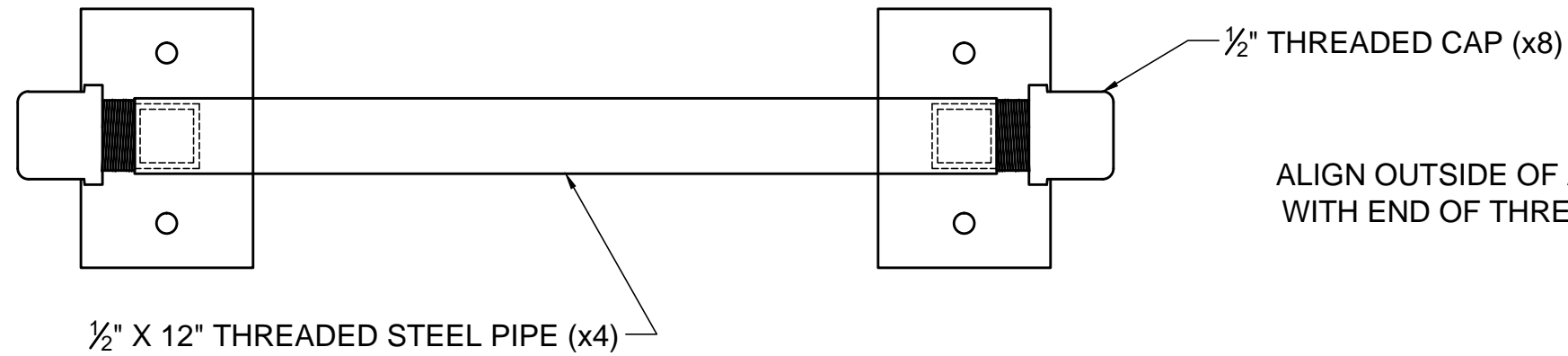
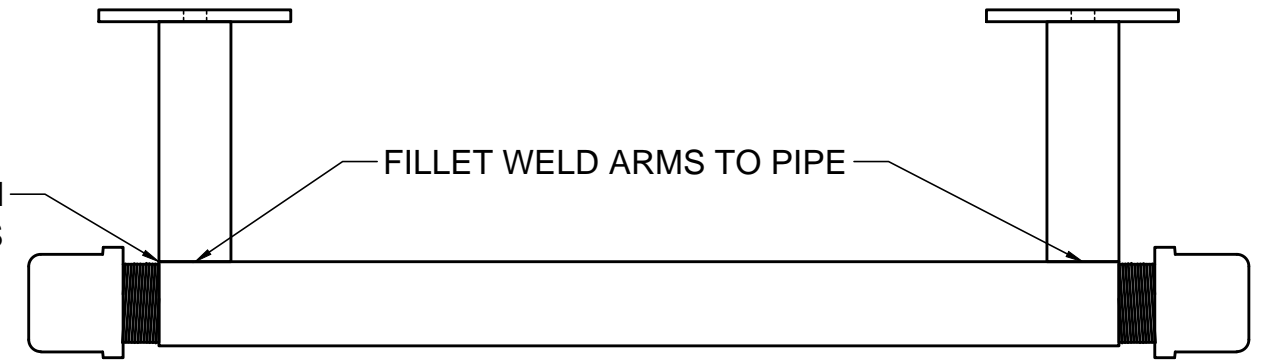


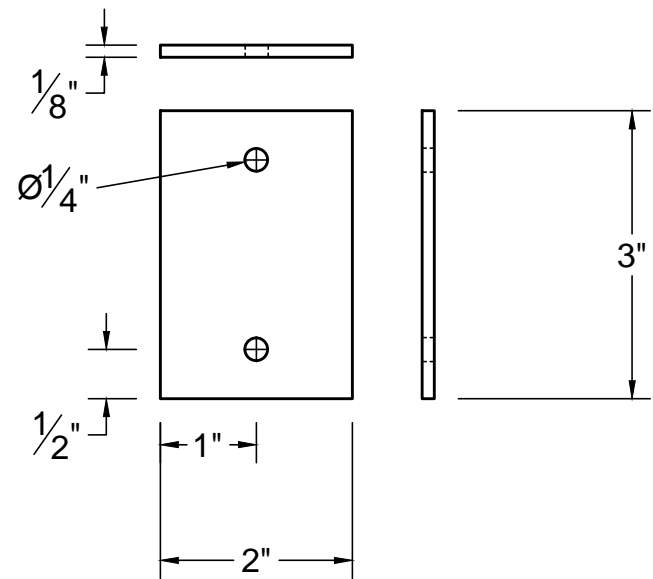
### FRONT ELEVATION



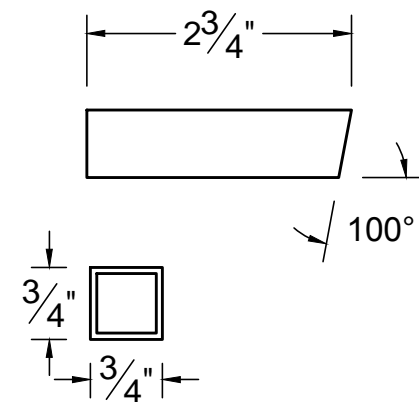
### TOP/PLAN VIEW



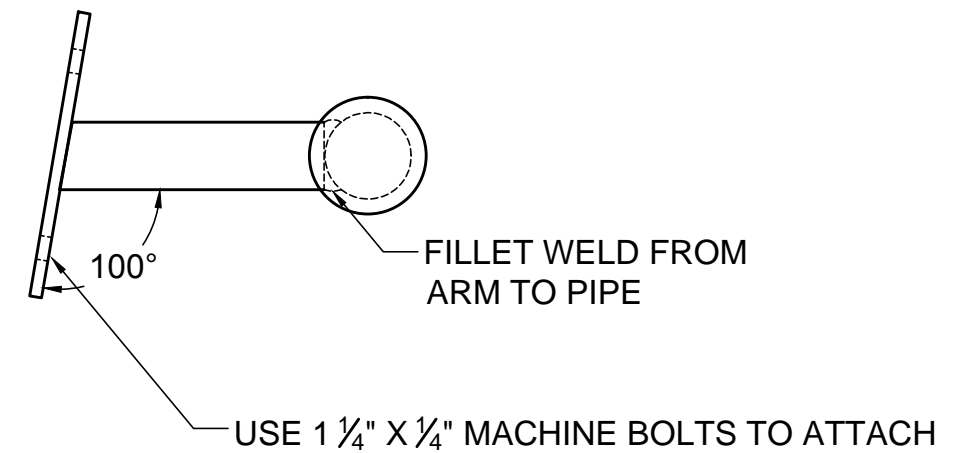
**MOUNTING PLATES-**  
MAKE 16 FROM 2" X 1/8"  
FLAT BAR



**HANDLE ARMS-**  
MAKE 8 FROM 3/4" X .065  
BOX TUBE



### SIDE ELEVATION



UVA DRAMA  
*SHIPWRECKED*

DIRECTOR: MARIANNE KUBIK  
DESIGNER: BATUL RIZVI  
TD: TIM NIELSEN  
DRAFTED BY: JD STALLINGS

WAGON HANDLES  
  
MULTI-VIEW  
CONSTRUCTION

6" = 1'

DRAWING NOTES:  
-WELD 8 LEFTOVER MOUNTING PLATES TO  
AXLES @ WIDTH OF WAGON BASE FRAME  
-HAND OFF TO PAINT BEFORE INSTALLING

3/13/17  
**18.3**  
OF 20

